



Proven technology. More individuality.

Elmasonic Select



Areas of use

Powerful and individual - these are the ultrasonic cleaning devices of the Elmasonic Select series.

Equipped with 37 kHz ultrasonic frequency, 5 ultrasonic modes, the possibility to save up to 4 cleaning programmes, a heating and tank volumes from 3 to 90 litres (from Select 60 with drain), Elmasonic Select devices are versatile.

Application-specific cleaning chemicals and practical accessories such as baskets, noise protection box, holders, etc. ensure the best cleaning results and make cleaning easier.

Developed for

Research and development laboratories •
Pharmaceutical and industrial-analytical laboratories • Work and repair shops • Metal processing companies • Manufacturers of industrial components • Watchmakers • Jewellers • Watch and jewellery workshops



Cleans

Laboratory instruments such as test tubes, glass pipettes and burettes • Industrial components and parts such as carburettors, filters • Watch components such as hinges, clasps, housings • Jewellery such as earrings, bracelets - with and without gem stones



Removes

Resins • Oil and grease • Adhesive residues • Grinding and polishing pastes • Chips • Flux agents • Organic contamination such as horn and skin residues • Wear dirt

Prepares samples

Degassing • Dispersing • Emulsifying • Homogenising • Deagglomerating • Thermosensitive incubations • Lyses • Biochemical assays





Individual

Adjustable cleaning programmes

- Memory for 4 individual cleaning programmes
- Cleaning process in the ultrasonic cleaning device can be called up for reproducible results
 - Fast switching between favourite programmes

To configure

The auto-degas mode removes disturbing air bubbles in the cleaning liquid and thus leads to better cleaning results. For temperature-sensitive parts or temperature-sensitive processes, the limit temperature can be set individually and the display changed to °C / °F.

Strong

5 ultrasonic modes for best cleaning results and easy sample preparation

- dynamic:** Combines the ultrasonic modes pulse and sweep to increase the overall cleaning performance
- pulse:** Removes even stubborn contaminations through a pulsating sound field distribution
- sweep:** Uniform distribution of the ultrasonic power for most cleaning tasks

- eco:** For gentle cleaning with quiet operation and for a longer service life of the ultrasonic cleaning device
- degas:** Quick degassing of freshly prepared cleaning solutions and (HPLC) samples

Intuitive

Clear and simple

Clear, easy-to-read display showing all relevant parameters e.g. remaining cleaning time, set/actual temperature for precise adjustment.

With feedback

The user is always informed about the operating status of the device via clear symbols for e.g. end of cleaning or overtemperature as well as acoustic and visual feedback.

Application oriented

With matching accessories

Plastic lids ensure quieter operation and serve as drip trays for baskets and parts. Further accessories such as holders, inserts or noise protection boxes facilitate the work for the most diverse cleaning tasks.

Through industry-specific cleaning chemistry

The industry-specific cleaning chemistry is ecologically and economically optimised. Overviews for the selection of suitable cleaners with application and dosing aids are available.

Product Information



Elmasonic Select

Ultrasonic cleaning devices



Order numbers

Elmasonic Select	30	40	60	80	100	120	150	180	300	500	900
Order number 220 - 240 V~	1106989	1106668	1106990	1106853	1106991	1106992	1106993	1106994	1106995	1108777	1108778
Order number 115 - 120 V~	1106996	1106997	1106998	1106999	1107000	1107001	1107002	1107003	1107004	-	-

Product Information



Elmasonic Select

Technical Data - Mechanics

Elmasonic Select	30	40	60	80	100	120
Total capacity V (l)	2,7	3,9	5,9	9,3	9,5	12,9
Recom. operating capacity V _a (l)	1,6	2,9	4,3	6,8	6,8	10,0
Unit ext. dimensions W / D / H (mm)	305 / 170 / 230	305 / 170 / 280	370 / 210 / 280	570 / 195 / 280	380 / 300 / 280	380 / 300 / 330
Opening dimensions W ₃ / D ₃ (mm)	235 / 135	235 / 135	300 / 150	500 / 135	295 / 235	275 / 235
Tank int. dimensions W ₂ / D ₂ / H ₂ (mm)	220 / 120 / 95	215 / 115 / 145	280 / 130 / 145	475 / 110 / 145	280 / 220 / 145	300 / 215 / 195
Weight incl. cover (kg)	3,6	3,8	5,2	6,9	6,2	7,7
Drain hose - ID (mm)	--		12,0			
Basket int. dimensions W ₄ / D ₄ / H ₄ (mm)	195 / 105 / 50	190 / 105 / 75	255 / 115 / 75	455 / 106 / 75	255 / 200 / 70	250 / 190 / 110
Total basket loading (kg)	1,0	3,0	5,0	5,0	6,0	7,0

Product Information



Elmasonic Select

Technical Data - Mechanics

Elmasonic Select	150	180	300	500	900
Total capacity V (l)	14,6	17,8	27,5	49,7	89,0
Recom. operating capacity V _a (l)	8,7	14,2	22,0	40,3	63,7
Unit ext. dimensions W / D / H (mm)	575 / 360 / 230	405 / 360 / 330	575 / 360 / 330	775 / 425 / 505	875 / 595 / 505
Unit ext. dimensions with open noise protection cover W / D ₁ / H ₁ (mm)	--			775 / 510 / 975	875 / 640 / 1145
Opening dimensions W ₃ / D ₃ (mm)	500 / 295	325 / 295	500 / 295	--	
Tank int. dimensions W ₂ / D ₂ / H ₂ (mm)	485 / 280 / 95	300 / 270 / 195	475 / 270 / 195	500 / 330 / 290	600 / 500 / 285
Weight incl. cover (kg)	8,8	10,2	12,2	30,4	43,4
Weight incl. noise protection cover (kg)	--			34,7	49,3
Drain hose - ID (mm)	12,0			19,0	
Basket int. dimensions W ₄ / D ₄ / H ₄ (mm)	455 / 250 / 45	280 / 250 / 115	455 / 250 / 110	460 / 300 / 195	545 / 460 / 190
Total basket loading (kg)	7,0	8,0	10,0	20,0	30,0

Product Information



Elmasonic Select

Technical Data - Electronics and noise levels

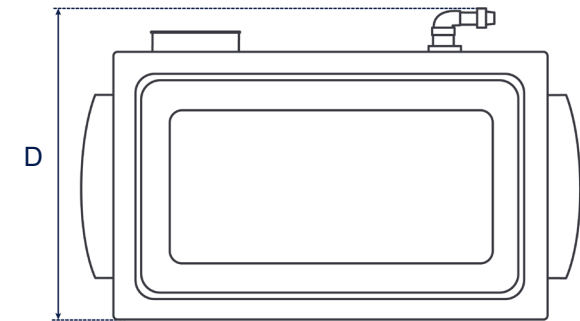
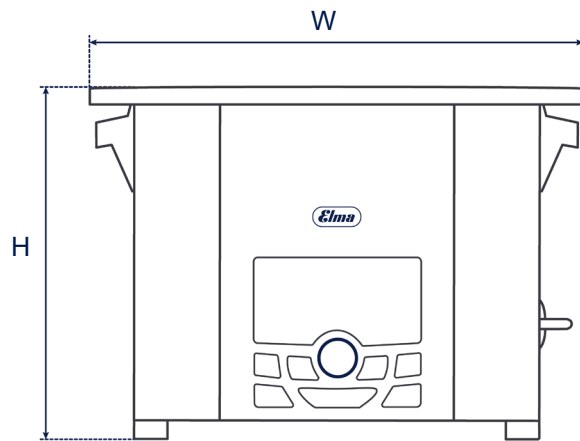
Elmasonic Select	30	40	60	80	100	120	150	180	300	500	900
Mains voltage (V~)	220-240 / 115-120										
Mains frequency (Hz)	50 / 60										
Power consumption total (W)	320	550	750	550	1000	1100	1000	1500	2140	2960	
Ultrasonic power effective $\pm 10\%$ (W)	120	150	150	150	200	300	200	300	540	960	
Ultrasonic peak power max.** (W)	480	600	600	600	800	1200	800	1200	2160	3840	
Heating power (W)	200	400	600	400	800	800	800	1200	1600	2000	
Temperature (°C)	25 - 80										
Protection class	IP 20										

Elmasonic Select

Dimension definition

Unit outer dimensions

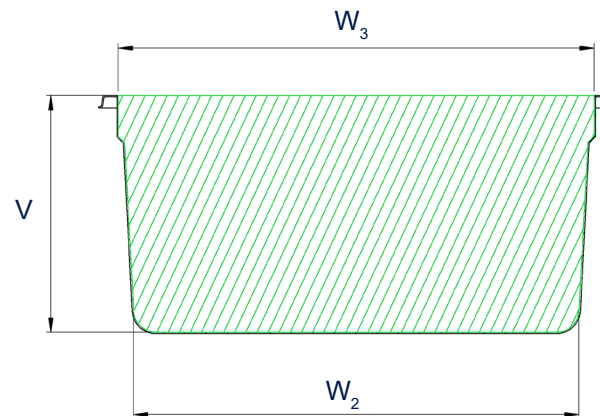
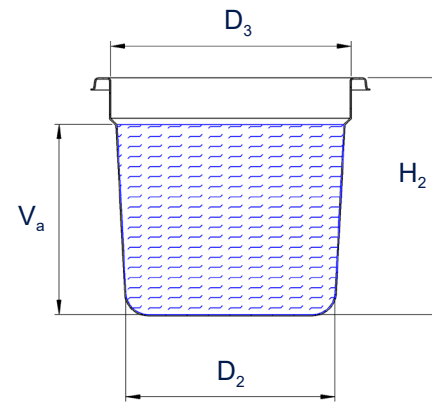
Elmasonic Select 30 - 300



Tank internal dimensions

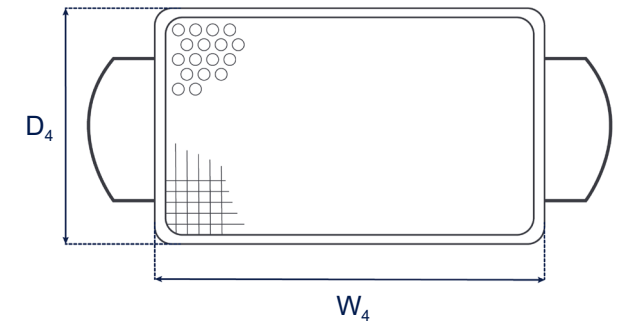
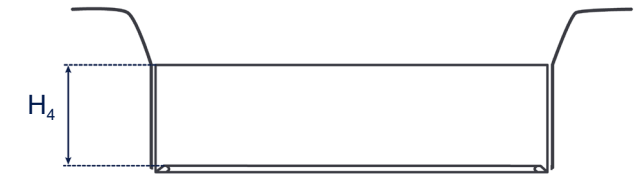
Elmasonic Select 30 - 300

V_a : recommended operating capacity of the cleaning tank
(The actual operating capacity depends on the load.)



Basket internal dimensions

Elmasonic Select 30 - 900



The drawings are meant as a visualization aid and are not true to scale.

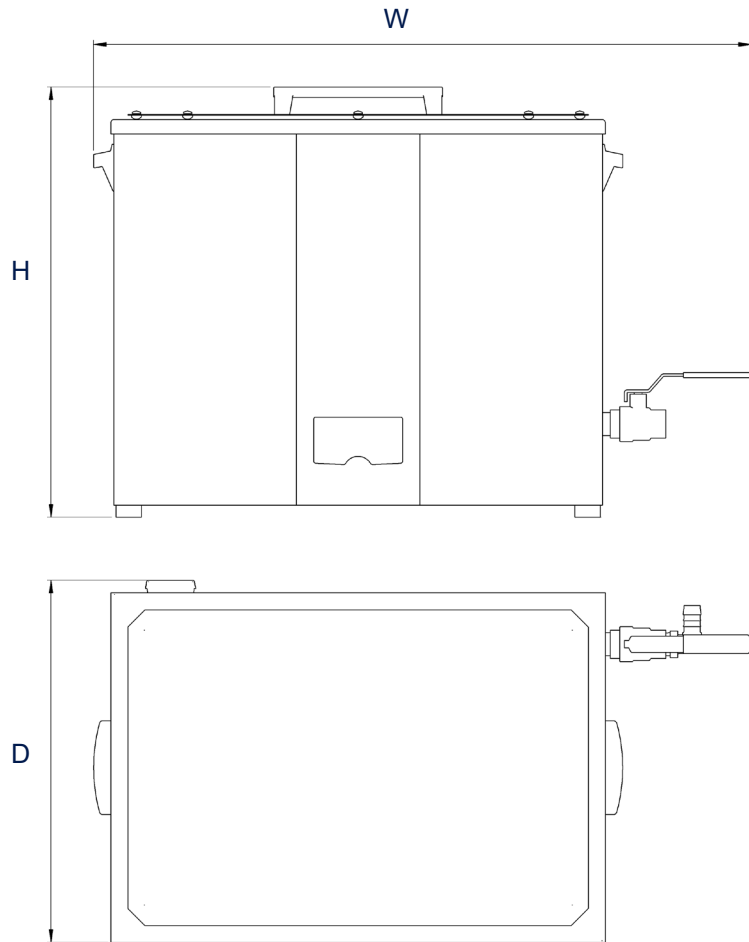
Technical specifications serve as orientation values and are subject to tolerances due to production and manufacturing. Proper operation can only be guaranteed when using original Elma accessories.

Elmasonic Select

Dimension definition

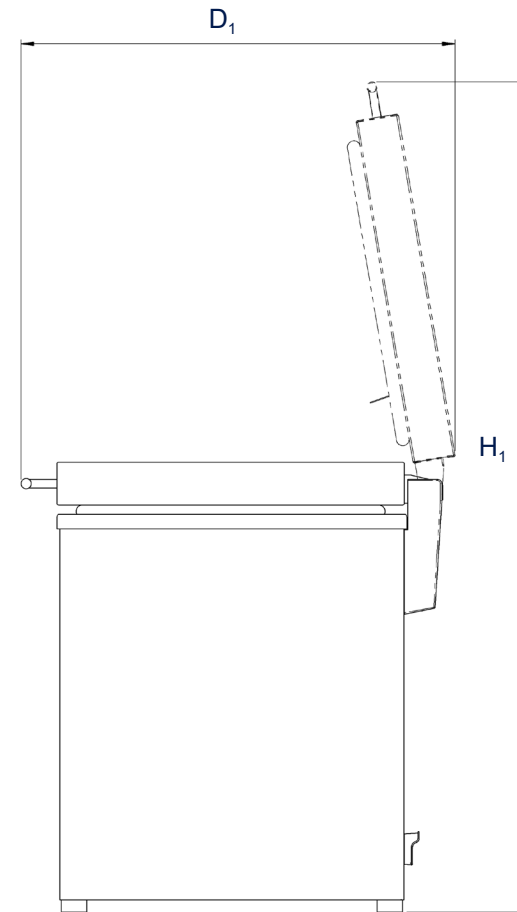
Unit outer dimensions

Elmasonic Select 500 / 900



Unit outer dimensions

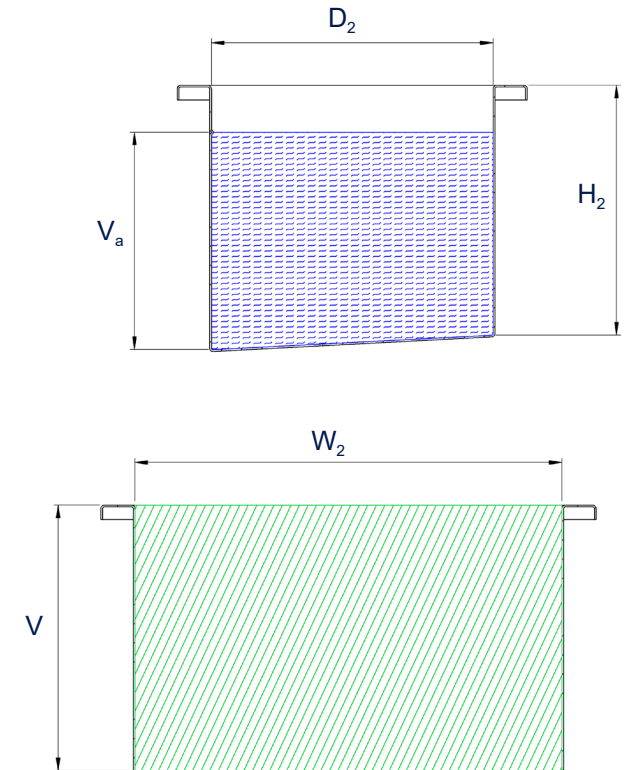
Elmasonic Select 500 and 900 with noise protection cover



Tank internal dimensions

Elmasonic Select 500 / 900

V_a : recommended operating capacity of the cleaning tank
(The actual operating capacity depends on the load.)



The drawings are meant as a visualization aid and are not true to scale.

Technical specifications serve as orientation values and are subject to tolerances due to production and manufacturing. Proper operation can only be guaranteed when using original Elma accessories.



Scientific Research Instruments Company Private Limited

42-43, 2nd & 3rd Floor, 1st Cross, Gubbalala, Bengaluru - 560 061

Telephone : 080 4757 2577 | 080 4302 5791

Sales

info@srico-labworld.com

Mobile : +91 9900674407

Service

service@srico-labworld.com

Mobile : +91 9900055879

Bhubaneswar | Hyderabad | New Delhi | Navi Mumbai | Vadodara

Ahmedabad | Chandigarh | Chennai | Goa | Guwahati | Kolkata | Lucknow | Pune | Thiruvananthapuram | Visakhapatnam

www.srico-labworld.com