

Wireless TEMP[®]



Solution Finder

Remote Control | Monitoring | Visualization | Documentation



To find the right, perfect *WirelessTEMP* application solution for your requirements, answer the following four questions when planning your application.

- Question ①** How many JULABO instruments will be networked?
(max. 1 / max. 2 / max. 4 / max. 8)
- Question ②** Which type of interface do my JULABO instruments feature?
(RS232 / Ethernet)
- Question ③** How is the connection set-up?
(via WLAN / partially via WLAN / via LAN)
- Question ④** Do I require an ATEX solution?
(Yes / No)

After answering these questions, the overview on page 3 will lead you to the right *WirelessTEMP* application solution.

More information on *WirelessTEMP* application solutions can be found at www.julabo.com.

We gladly support you in the planning of the connection of your JULABO instruments. **+49 (0) 7823 51-190**




Tip

EasyTEMP

Download the basic software
EasyTEMP free of charge at
www.julabo.com!

Overview *WirelessTEMP* application solutions

①								②		③		④	JULABO <i>WirelessTEMP</i> accessories						Solution
Number of JULABO instruments								Interface of JULABO instruments		Network connection		ATEX	8980031	8980032	8980033	8980034	8980035	8980036	see page
1	2	3	4	5	6	7	8	RS232	Ethernet	WLAN	LAN								
•								•			•		•						4
•	•	•	•					•			•			•					5
•	•	•	•	•	•	•	•	•			•				•				6
•	•	•	•	•	•	•	•	•		•	•				•				7
•								•		•						•			8
•	•							•		•							•		9
•	•	•	•					•		•							•		10
•	•	•	•	•	•	•	•	•		•							•		11
•								•		•		•			•			•	12
•	•							•		•		•					•	•	13
•	•	•	•					•		•		•					•	•	14
•	•	•	•	•	•	•	•	•		•		•					•	•	15
•	•	•	•	•	•	•	•	•		•	•	•			•			•	16
•	•							•		•		•					•	•	17
•	•	•	•	•	•	•	•		•		•								18
•	•	•	•	•	•	•	•		•		•								19
•	•	•	•	•	•	•	•		•	•	•								20
•	•	•	•	•	•	•	•		•	•	•								21
•	•	•	•	•	•	•	•		•	•	•	•						•	22
•	•	•	•	•	•	•	•		•	•	•	•						•	23

- max. 1 instrument
- max. 2 instruments
- max. 4 instruments
- max. 8 instruments

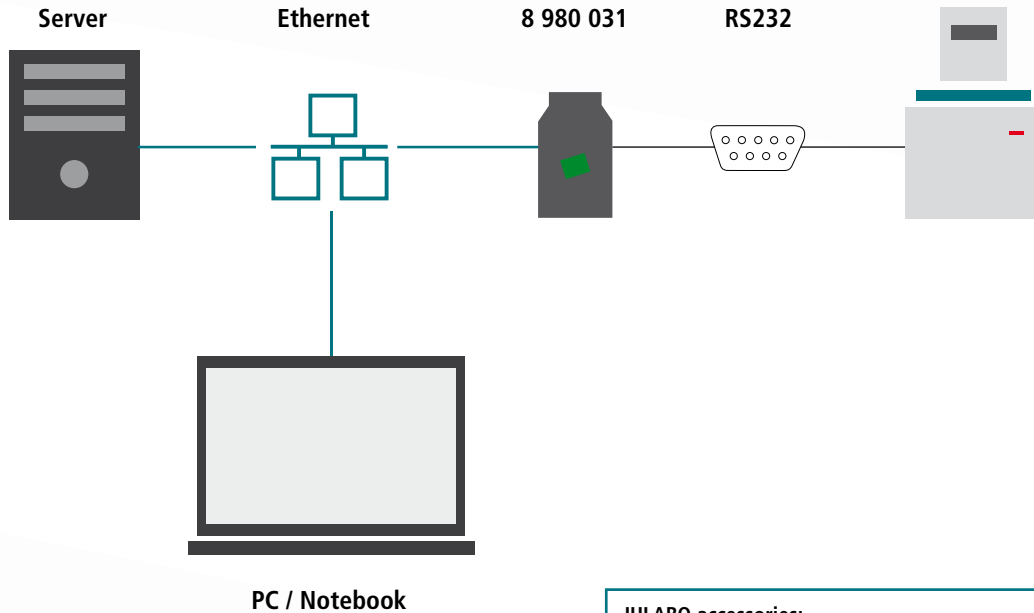
RS232

Ethernet

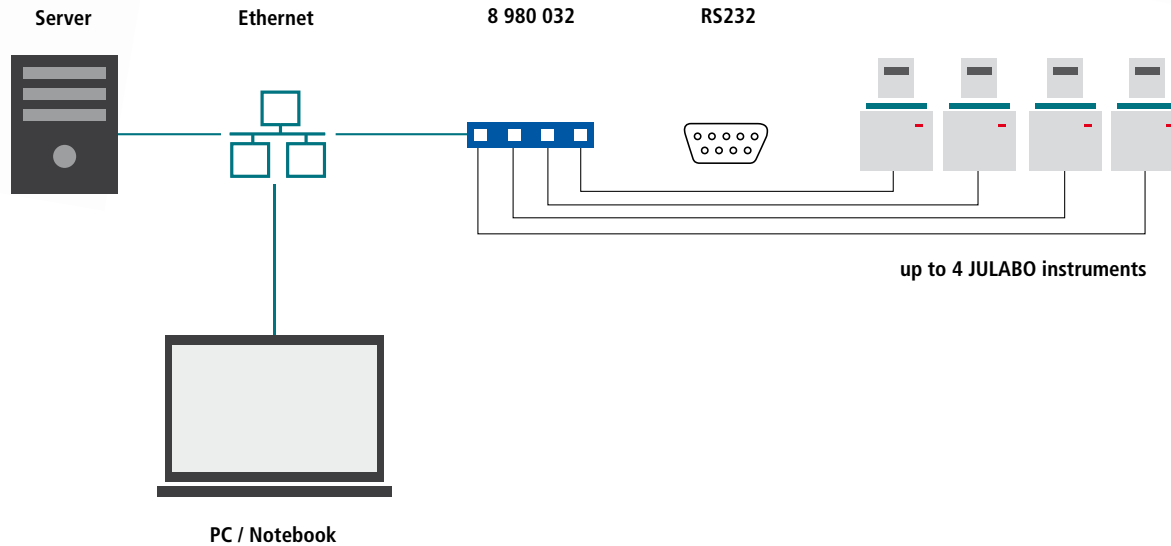
WLAN

LAN

ATEX



JULABO accessories:
1 x **8901102** *EasyTEMP* (free of charge download)
1 x **8980031** Ethernet / RS232 interface converter
2 x **8980071** RJ45 cable



max. 1 instrument

max. 2 instruments

max. 4 instruments

max. 8 instruments

RS232

Ethernet

WLAN

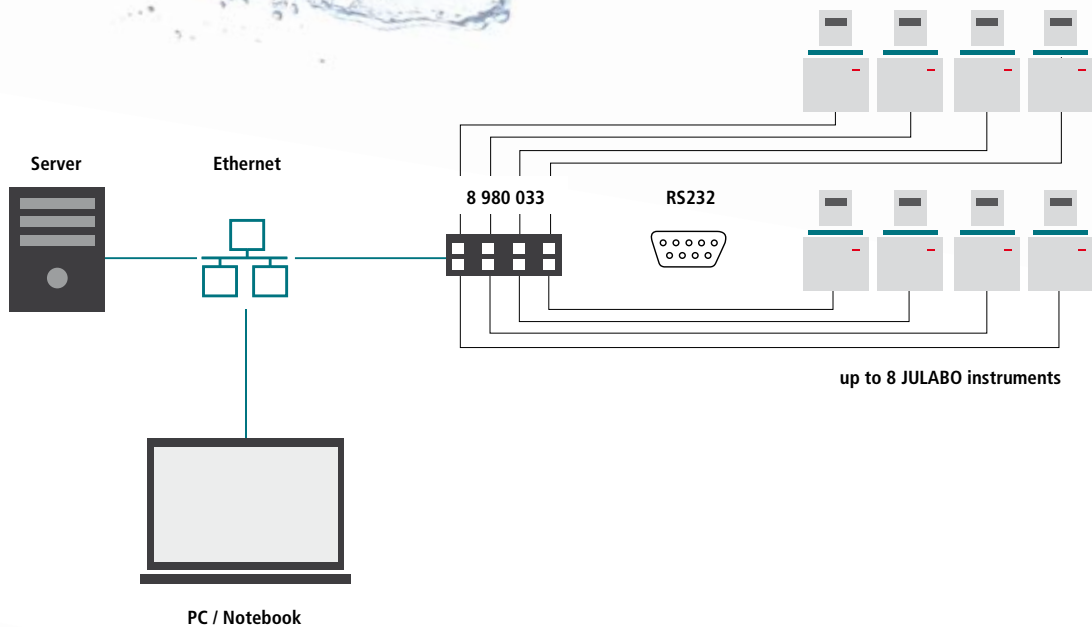
LAN

ATEX

JULABO accessories:

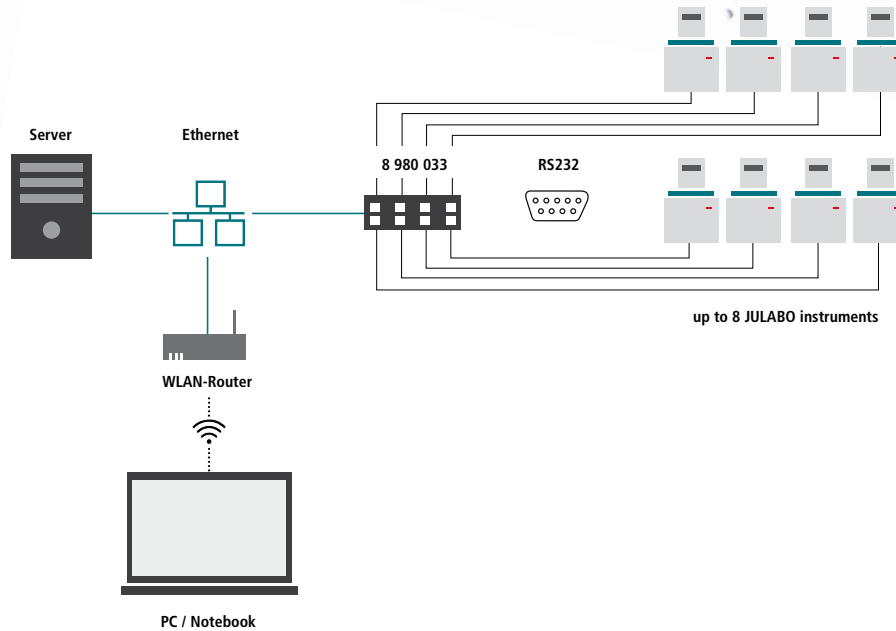
- 1 x **8901105** *EasyTEMP Professional*
- 1 x **8980032** 4-Ethernet / RS232 converter
- max. 4 x **8980074** RS232 interface cable
- 1 x **8980071** RJ45 cable

- max. 1 instrument
- max. 2 instruments
- max. 4 instruments
- max. 8 instruments
- RS232
- Ethernet
- WLAN
- LAN
- ATEX



JULABO accessories:

- 1 x **8901105** EasyTEMP Professional
- 1 x **8980033** 8-Ethernet / RS232 converter
- max. 8 x **8980074** RS232 interface cable
- 1 x **8980071** RJ45 cable



max. 1 instrument

max. 2 instruments

max. 4 instruments

max. 8 instruments

RS232

Ethernet

WLAN

LAN

ATEX

JULABO accessories:

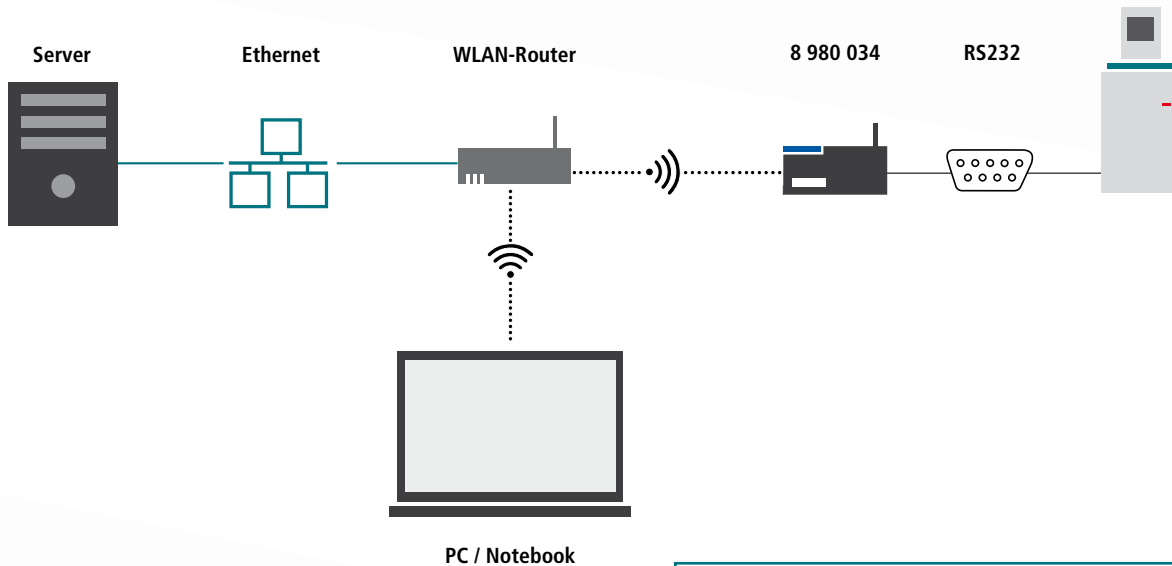
- 1 x **8901105** *EasyTEMP Professional*
- 1 x **8980033** 8-Ethernet / RS232 converter
- max. 8 x **8980074** RS232 interface cable
- 1 x **8980071** RJ45 cable

- max. 1 instrument
- max. 2 instruments
- max. 4 instruments
- max. 8 instruments

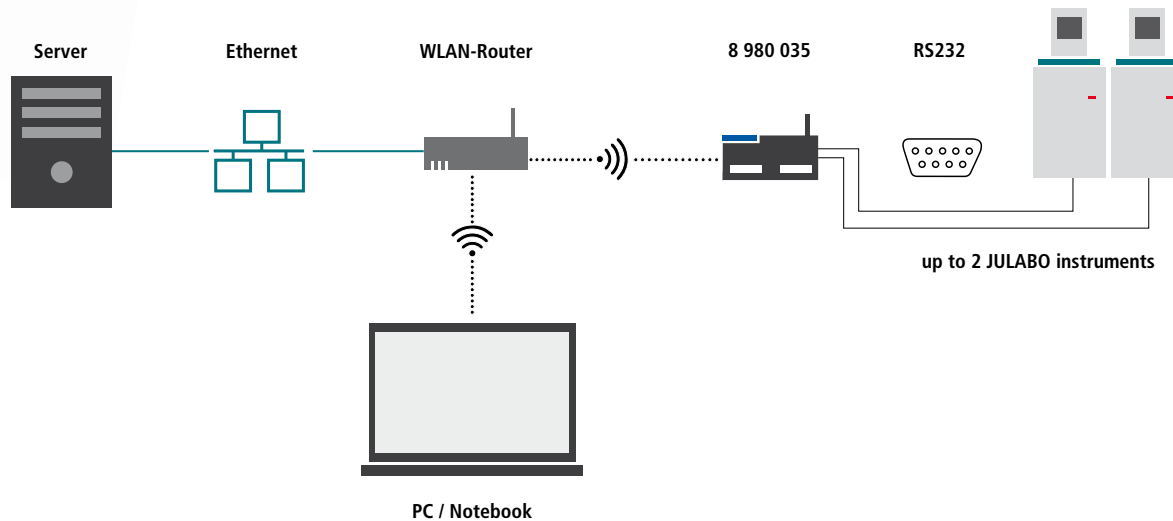
- RS232
- Ethernet

- WLAN
- LAN

- ATEX



JULABO accessories:
1 x **8901102** EasyTEMP (free of charge download)
1 x **8980034** WLAN / RS232 converter
1 x **8980074** RS232 interface cable



max. 1 instrument

max. 2 instruments

max. 4 instruments

max. 8 instruments

RS232

Ethernet

WLAN

LAN

ATEX

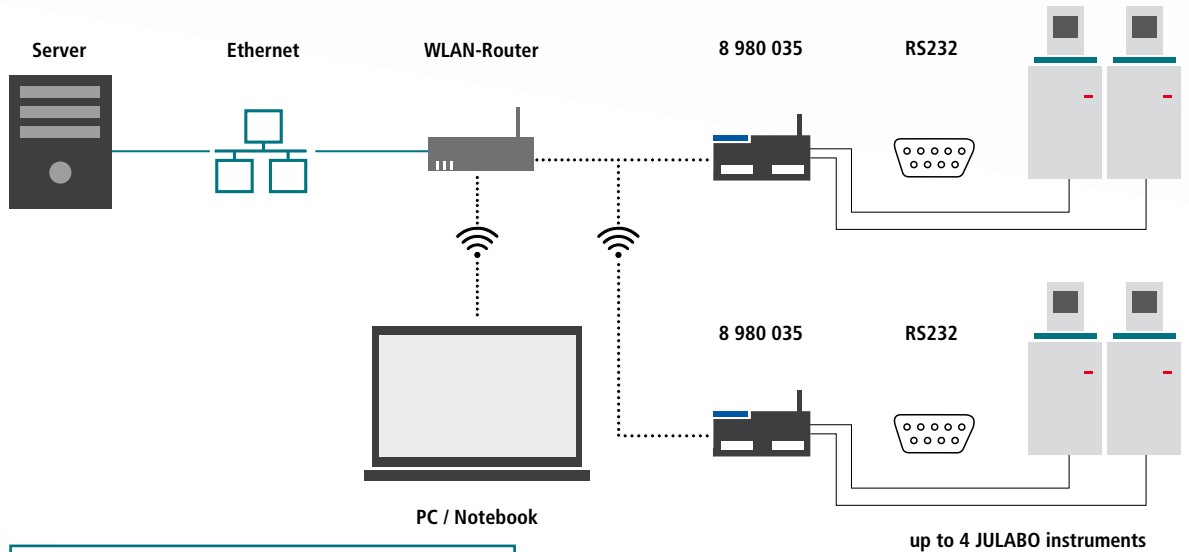
JULABO accessories:

1 x **8901105** EasyTEMP Professional

1 x **8980035** 2 channel WLAN / RS232 converter

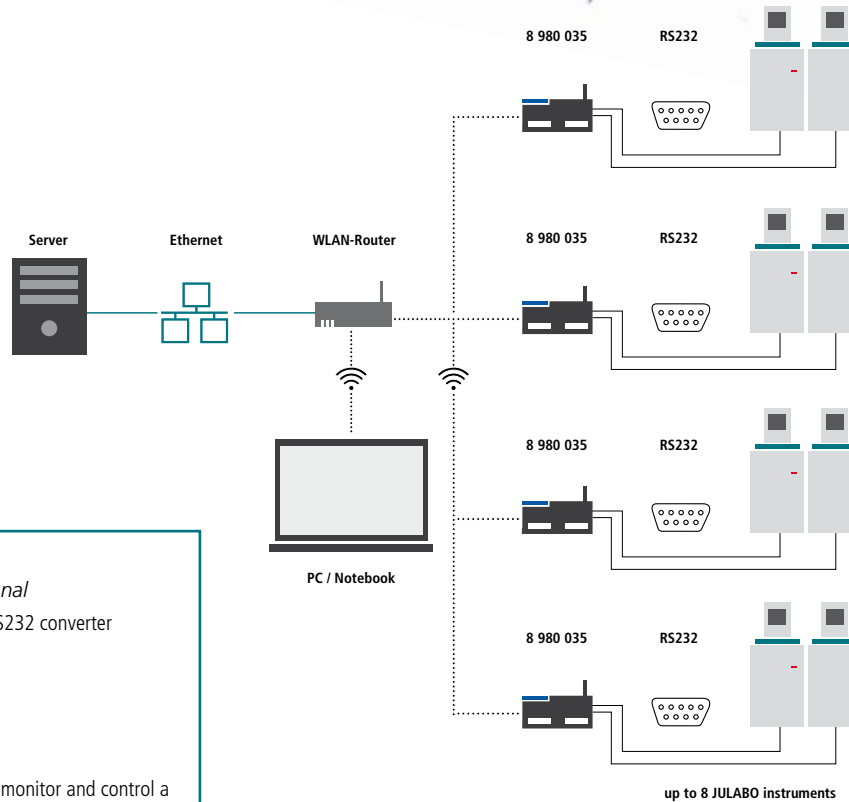
2 x **8980074** RS232 interface cable

- max. 1 instrument
 - max. 2 instruments
 - max. 4 instruments
 - max. 8 instruments
- RS232
 - Ethernet
- WLAN
 - LAN
- ATEX



JULABO accessories:
 1 x **8901105** EasyTEMP Professional
 n/2 x **8980035** 2 channel WLAN / RS232 converter
 n x **8980074** RS232 interface cable

 n = number of instruments



JULABO accessories:

- 1 x **8901105** *EasyTEMP Professional*
- n/2 x **8980035** 2 channel WLAN / RS232 converter
- n x **8980074** RS232 interface cable

n = number of instruments

Note: *EasyTEMP Professional* can monitor and control a maximum of 8 JULABO instruments.

- max. 1 instrument
- max. 2 instruments
- max. 4 instruments
- max. 8 instruments

RS232

Ethernet

WLAN

LAN

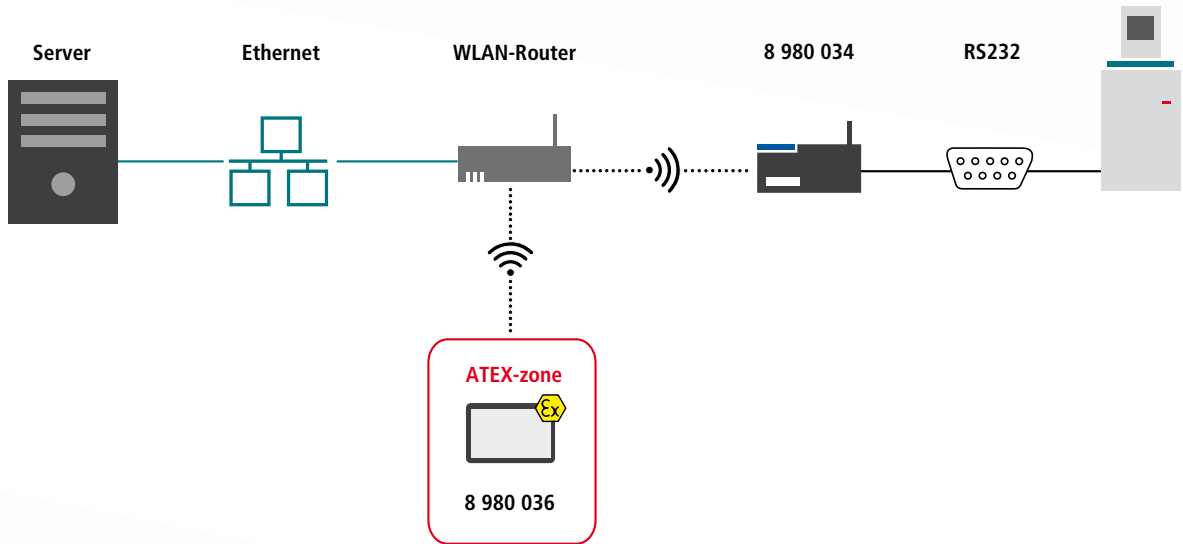
ATEX

- max. 1 instrument
- max. 2 instruments
- max. 4 instruments
- max. 8 instruments

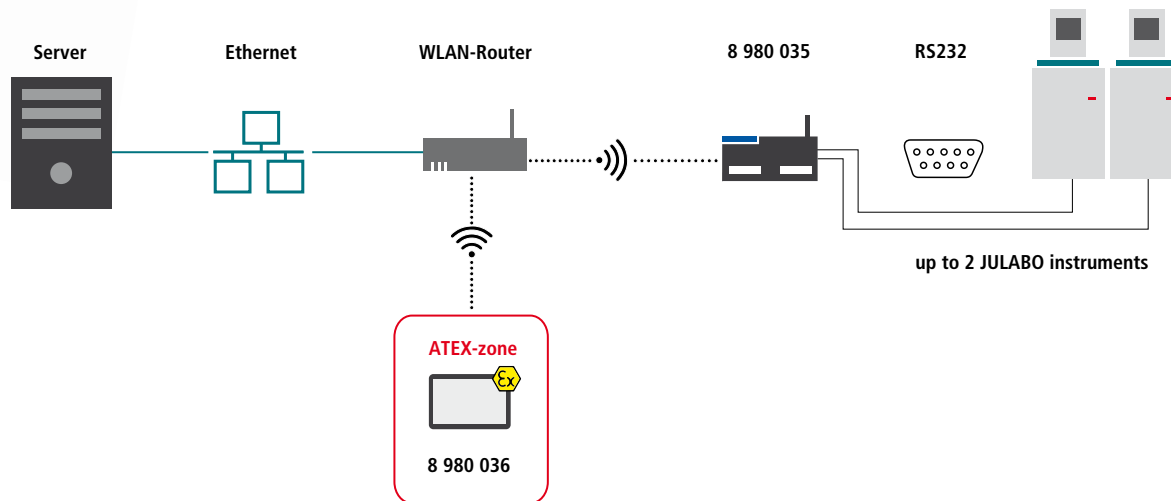
- RS232
- Ethernet

- WLAN
- LAN

- ATEX 



- JULABO accessories:**
- 1 x **8901102** EasyTEMP (free of charge download)
 - 1 x **8980036** ATEX Tablet Agile X
 - 1 x **8980034** WLAN / RS232 converter
 - 1 x **8980074** RS232 interface cable



max. 1 instrument

max. 2 instruments

max. 4 instruments

max. 8 instruments

RS232

Ethernet

WLAN

LAN

ATEX



JULABO accessories:

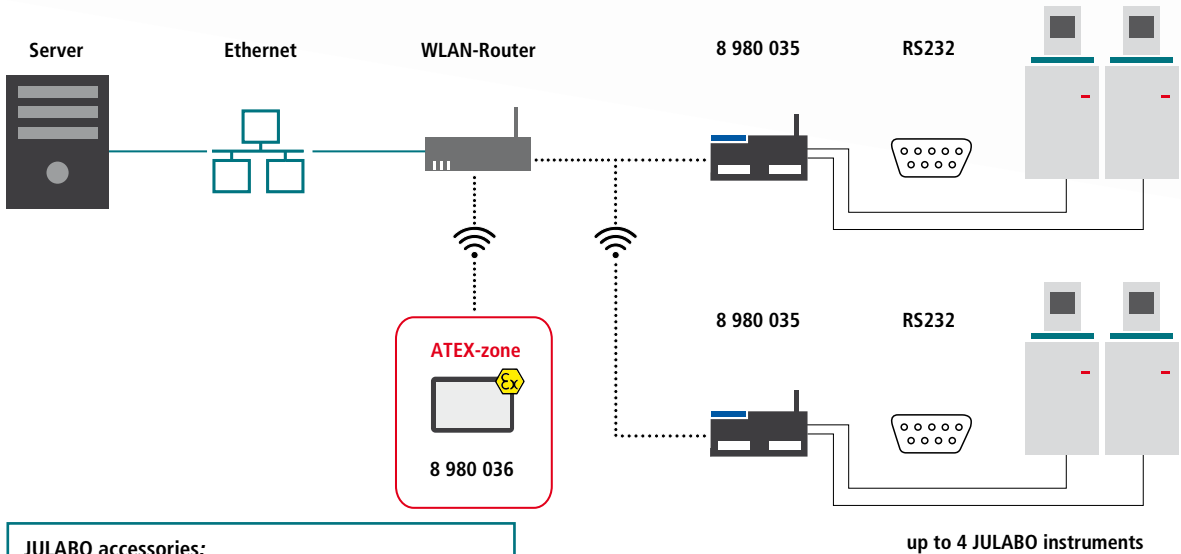
- 1 x **8901105** *EasyTEMP Professional*
- 1 x **8980036** ATEX Tablet Agile X
- 1 x **8980035** 2 channel WLAN / RS232 converter
- 2 x **8980074** RS232 interface cable

- max. 1 instrument
- max. 2 instruments
- max. 4 instruments
- max. 8 instruments

- RS232
- Ethernet

- WLAN
- LAN

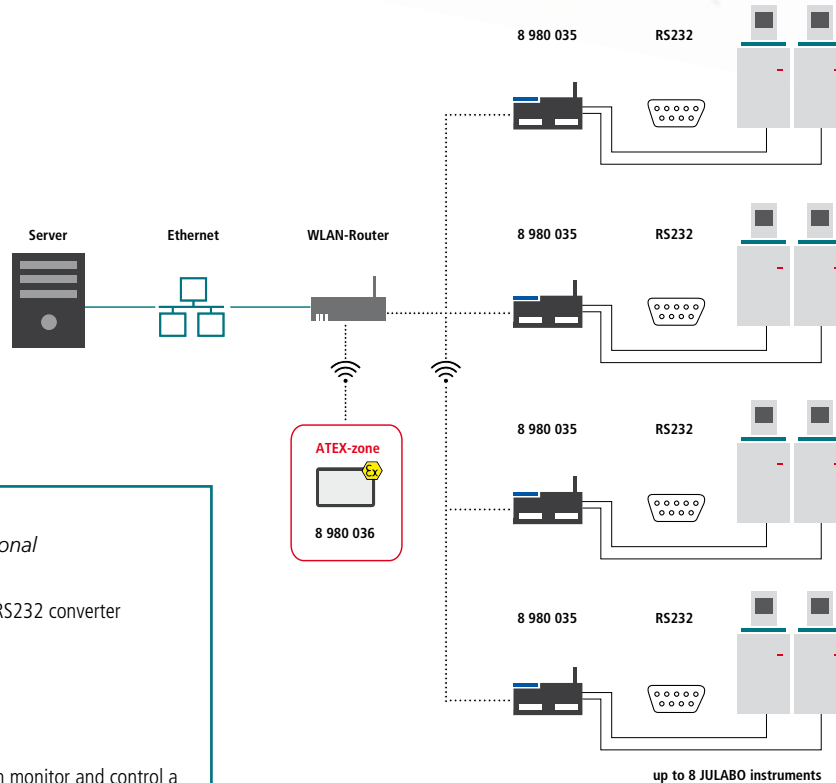
- ATEX 



JULABO accessories:

- 1 x **8901105** EasyTEMP Professional
- 1 x **8980036** ATEX Tablet Agile X
- n/2 x **8980035** 2 channel WLAN / RS232 converter
- n x **8980074** RS232 interface cable

n = number of instruments



max. 1 instrument

max. 2 instruments

max. 4 instruments

max. 8 instruments

RS232

Ethernet

WLAN

LAN

ATEX



JULABO accessories:

1 x **8901105** EasyTEMP Professional


1 x **8980036** ATEX Tablet Agile X

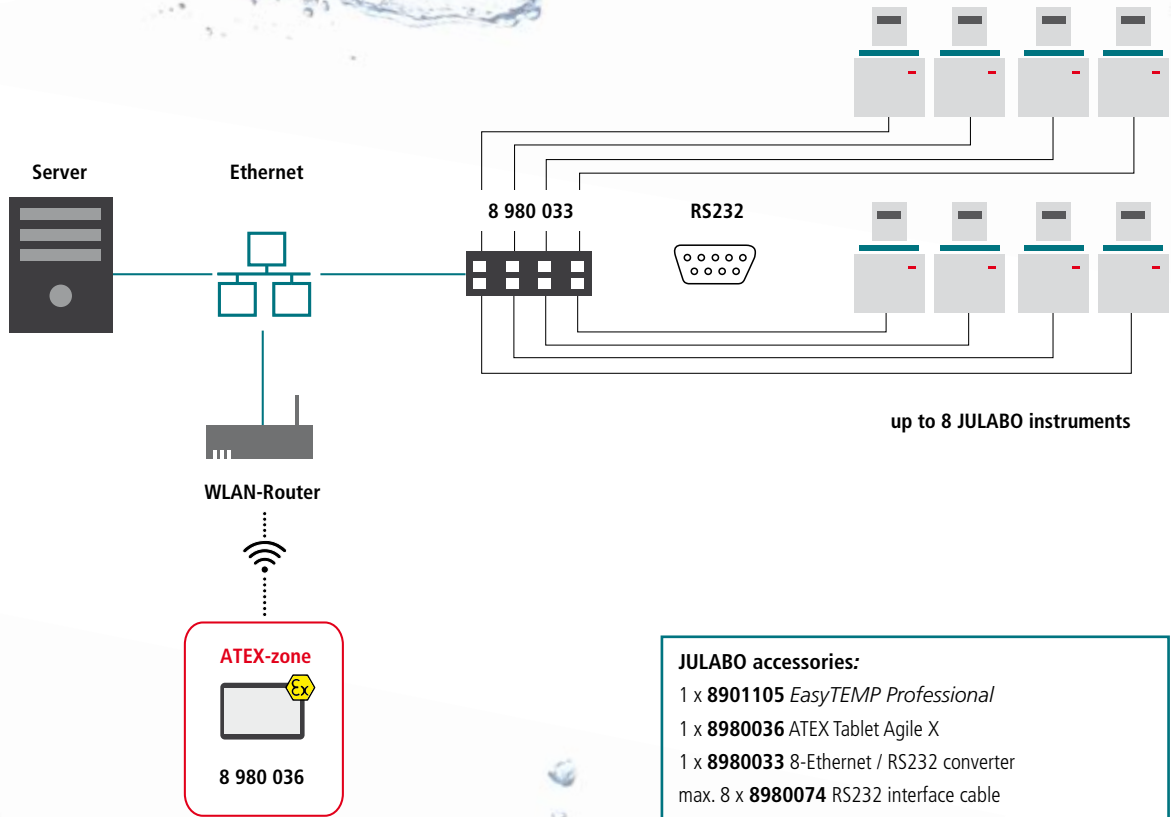
n/2 x **8980035** 2 channel WLAN / RS232 converter

n x **8980074** RS232 interface cable

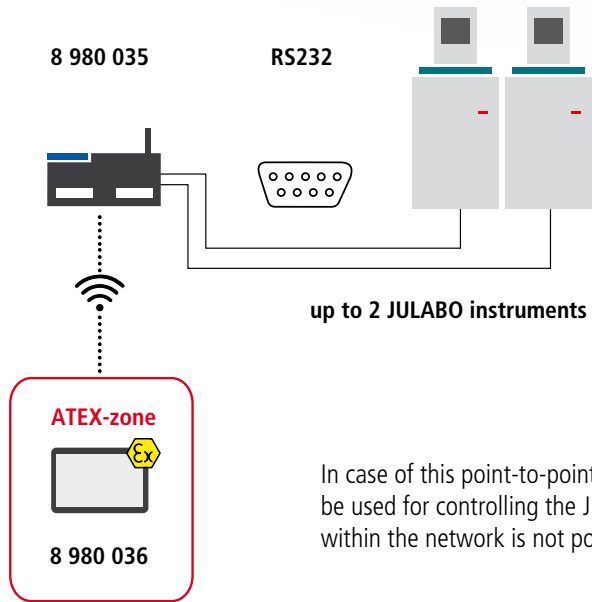
n = number of instruments

Note: EasyTEMP Professional can monitor and control a maximum of 8 JULABO instruments.

- max. 1 instrument
- max. 2 instruments
- max. 4 instruments
- max. 8 instruments
- RS232
- Ethernet
- WLAN
- LAN
- ATEX 



- JULABO accessories:**
- 1 x **8901105** EasyTEMP Professional
 - 1 x **8980036** ATEX Tablet Agile X
 - 1 x **8980033** 8-Ethernet / RS232 converter
 - max. 8 x **8980074** RS232 interface cable
 - 1 x **8980071** RJ45 cable



In case of this point-to-point connection, the tablet can only be used for controlling the JULABO units. Additional use within the network is not possible.

JULABO accessories:

- 1 x **8901105** *EasyTEMP Professional*
- 1 x **8980036** ATEX Tablet Agile X
- 1 x **8980035** 2 channel WLAN / RS232 converter
- 2 x **8980074** RS232 interface cable

max. 1 instrument

max. 2 instruments

max. 4 instruments

max. 8 instruments

RS232

Ethernet

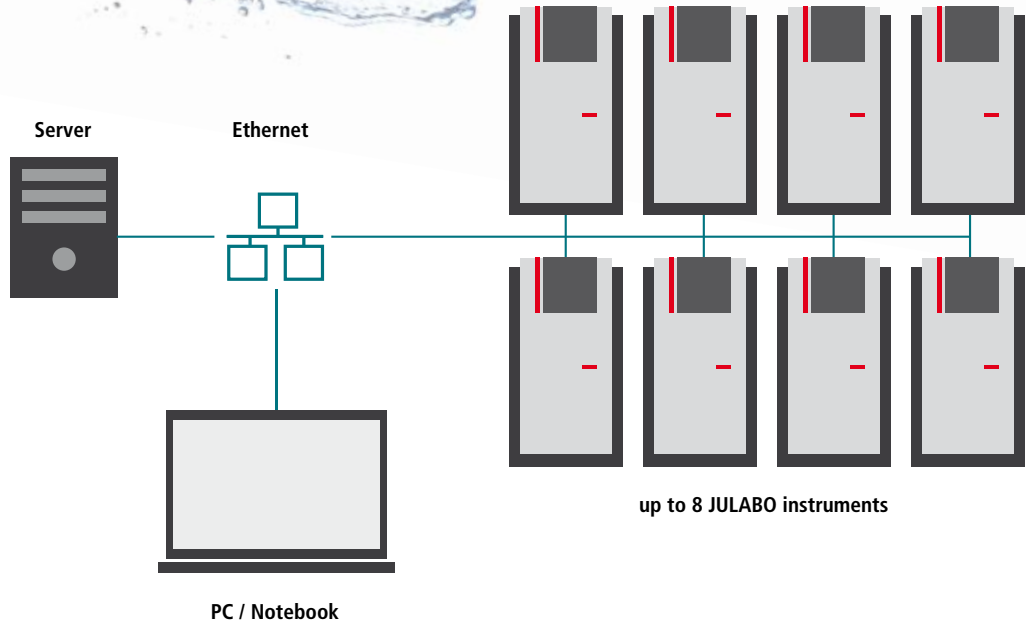
WLAN

LAN

ATEX



- max. 1 instrument
- max. 2 instruments
- max. 4 instruments
- max. 8 instruments
- RS232
- Ethernet
- WLAN
- LAN
- ATEX



JULABO accessories:

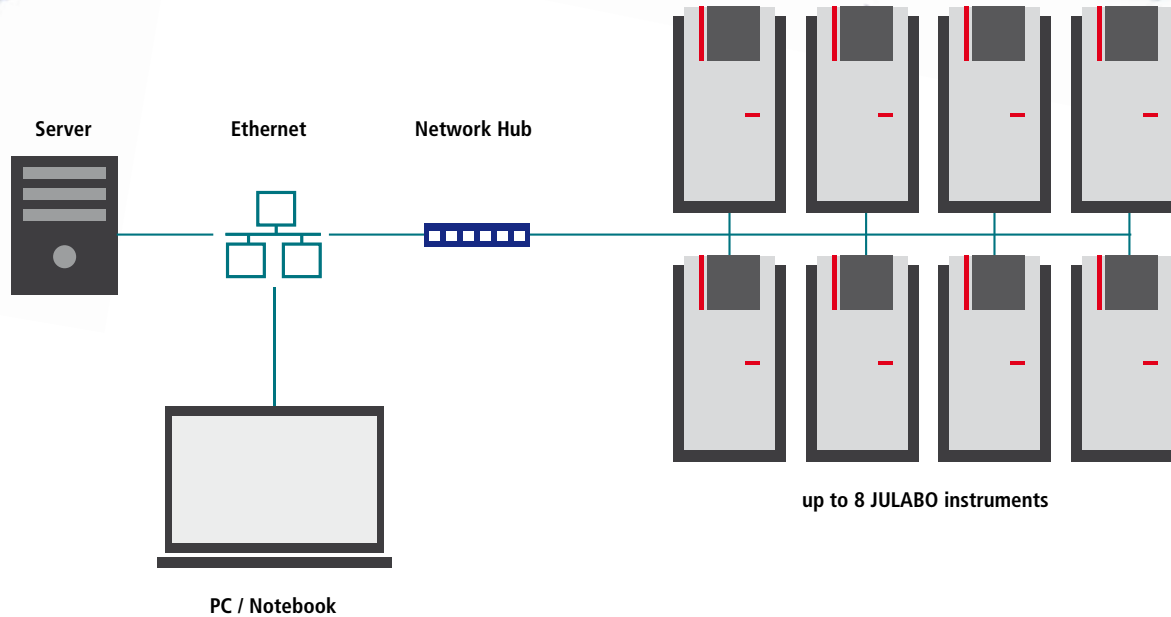
1 x **8901105** EasyTEMP Professional

n x **8980071** RJ45 cable

n = number of instruments

Note: *EasyTEMP Professional* can monitor and control a maximum of 8 JULABO instruments.

Alternatively Cerhost (Freeware) can be used for remote control. With Cerhost the PRESTO display is duplicated one-to-one on your PC or Notebook.



max. 1 instrument

max. 2 instruments

max. 4 instruments

max. 8 instruments

RS232

Ethernet

WLAN

LAN

ATEX

JULABO accessories:

1 x **8901105** EasyTEMP Professional

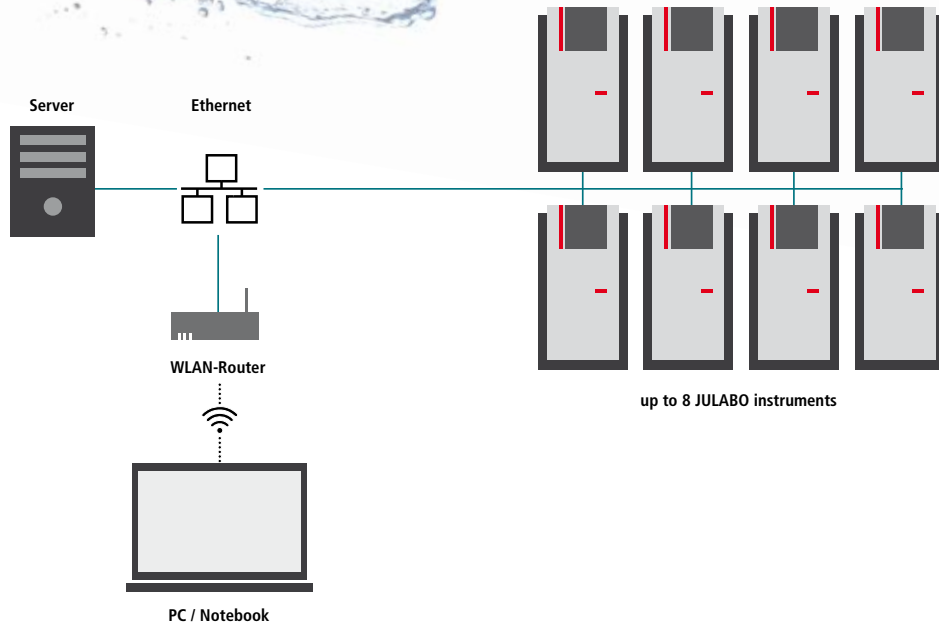
n x **8980071** RJ45 cable

n = number of instruments

Note: *EasyTEMP Professional* can monitor and control a maximum of 8 JULABO instruments.

Alternatively Cerhost (Freeware) can be used for remote control. With Cerhost the PRESTO display is duplicated one-to-one on your PC or Notebook.

- max. 1 instrument
 - max. 2 instruments
 - max. 4 instruments
 - max. 8 instruments
-
- RS232
 - Ethernet
 - WLAN
 - LAN
-
- ATEX



JULABO accessories:

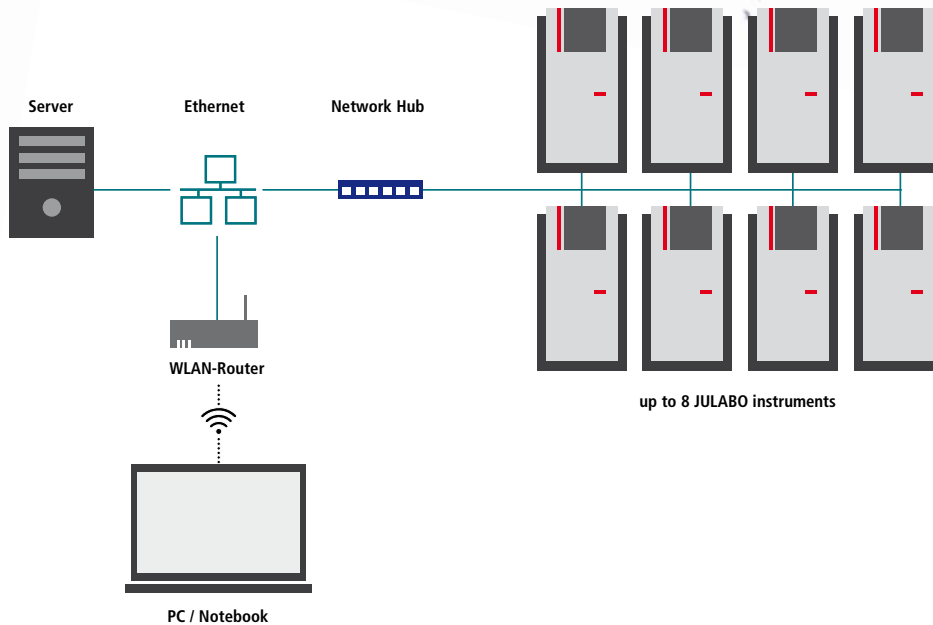
1 x **8901105** EasyTEMP Professional

n x **8980071** RJ45 cable

n = number of instruments

Note: *EasyTEMP Professional* can monitor and control a maximum of 8 JULABO instruments.

Alternatively Cerhost (Freeware) can be used for remote control. With Cerhost the PRESTO display is duplicated one-to-one on your PC or Notebook.



max. 1 instrument

max. 2 instruments

max. 4 instruments

max. 8 instruments

RS232

Ethernet

WLAN

LAN

ATEX

JULABO accessories:


1 x **8901105** *EasyTEMP Professional*

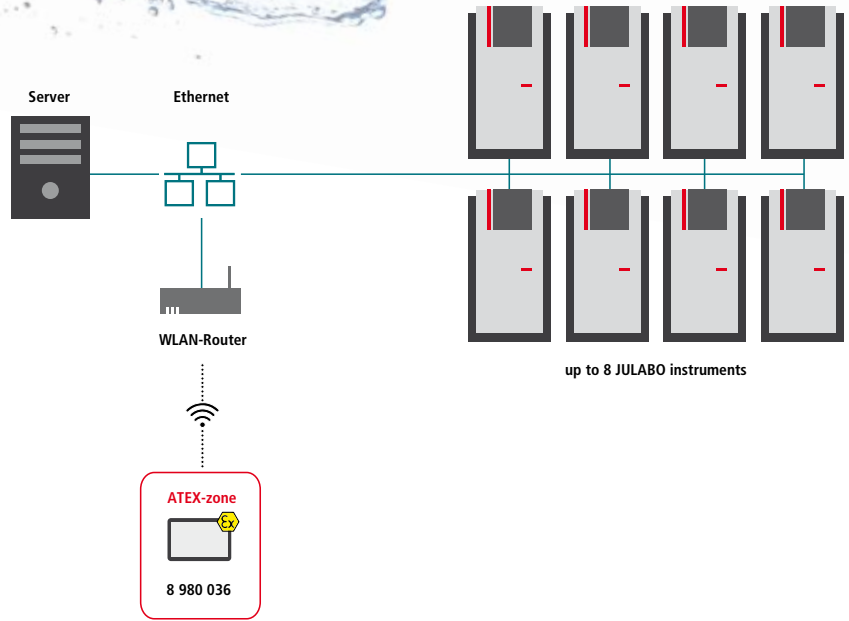
n x **8980071** RJ45 cable

n = number of instruments

Note: *EasyTEMP Professional* can monitor and control a maximum of 8 JULABO instruments.

Alternatively Cerhost (Freeware) can be used for remote control. With Cerhost the PRESTO display is duplicated one-to-one on your PC or Notebook.

- max. 1 instrument
 - max. 2 instruments
 - max. 4 instruments
 - max. 8 instruments
-
- RS232
 - Ethernet
 - WLAN
 - LAN
 - ATEX 

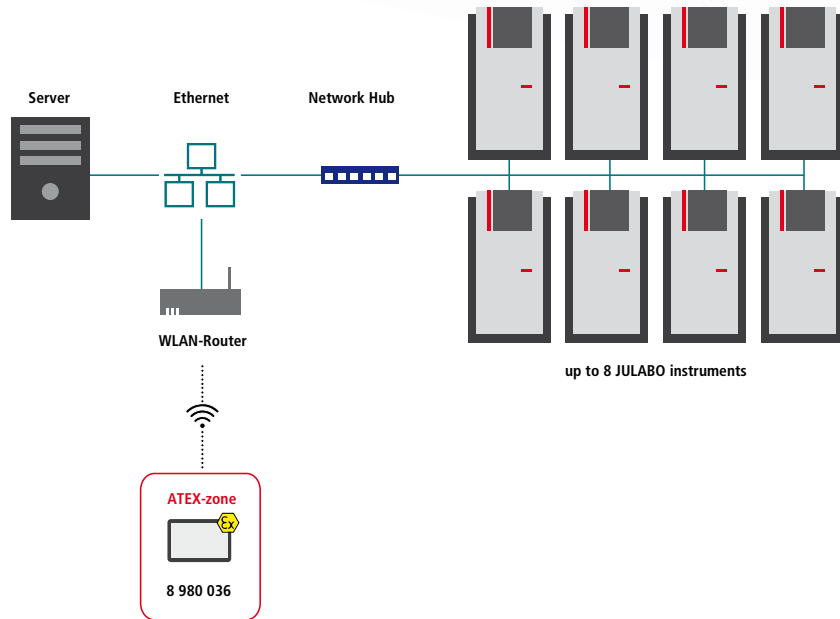


JULABO accessories:

- 1 x **8901105** *EasyTEMP Professional*
- 1 x **8980036** ATEX Tablet Agile X
- n x **8980071** RJ45 cable
- n = number of instruments

Note: *EasyTEMP Professional* can monitor and control a maximum of 8 JULABO instruments.

Alternatively Cerhost (Freeware) can be used for remote control. With Cerhost the PRESTO display is duplicated one-to-one on your PC or Notebook.



max. 1 instrument
max. 2 instruments
max. 4 instruments
max. 8 instruments

RS232

Ethernet

WLAN

LAN

ATEX



JULABO accessories:

- 1 x **8901105** *EasyTEMP Professional*
- 1 x **8980036** ATEX Tablet Agile X
- n x **8980071** RJ45 cable
- n = number of instruments

Note: *EasyTEMP Professional* can monitor and control a maximum of 8 JULABO instruments.

Alternatively Cerhost (Freeware) can be used for remote control. With Cerhost the PRESTO display is duplicated one-to-one on your PC or Notebook.

If undelivered please return to below address

Book Post



Scientific Research Instruments Company Private Limited

42-43, 2nd & 3rd Floor, 1st Cross, Gubbalala, Bengaluru - 560 061

Telephone : 080 4757 2577 | 080 4302 5791

Sales

info@srico-labworld.com

Mobile : +91 9900674407

Service

service@srico-labworld.com

Mobile : +91 9900055879

Bhubaneswar | Hyderabad | New Delhi | Navi Mumbai | Vadodara

Ahmedabad | Chandigarh | Chennai | Goa | Guwahati | Kolkata | Lucknow | Pune | Thiruvananthapuram | Visakhapatnam



www.srico-labworld.com