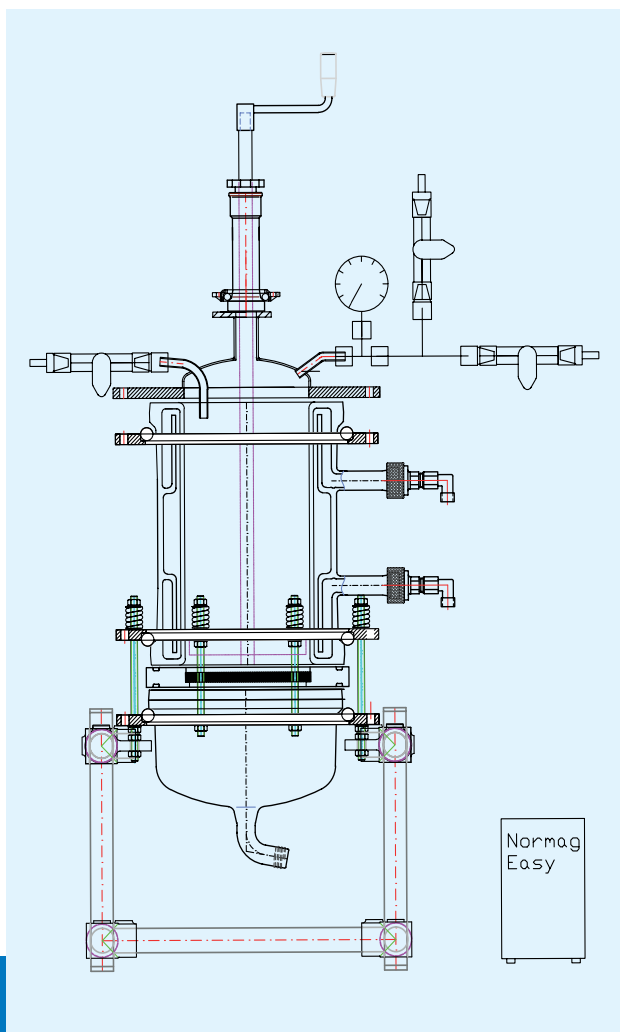


# Nutch Filter Unit

Up to 10 liters, type AFD, for laboratories



## Description

- Batchwise filtration of solvents with a volume up to 10 l
- Materials in contact with product: Borosilicate Glass 3.3, PTFE, stainless steel
- Designed for conditions: -20 to 150 °C, -1 to 1 barg
- Nutch filter operation optional in vacuum or overpressure
- Height-adjustable manual stirrer with inclined stirrer blades for swirling and smoothing
- Nozzles for feed, vacuum/vent and nitrogen compressed air
- Tempering jacket with NORMAG deflection flanges for full-length heating, adapter to stainless steel with M12x1,5-connection
- Pressure and temperature measurement
- Filtrate drainage system, completely draining, connection GL 25
- Completely premounted and tested package unit, without filter-cloth

## Advantages

- Easy to operate
- Compact design thus space-saving
- Filter cloth freely selectable
- Glass body is easy to clean
- Chemical and heat resistant



**HIGH  
QUALITY  
COMPONENTS**

## Nutch Filter Unit

Up to 10 liters, type AFD, for laboratories

### Article code and dimensions:

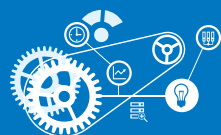
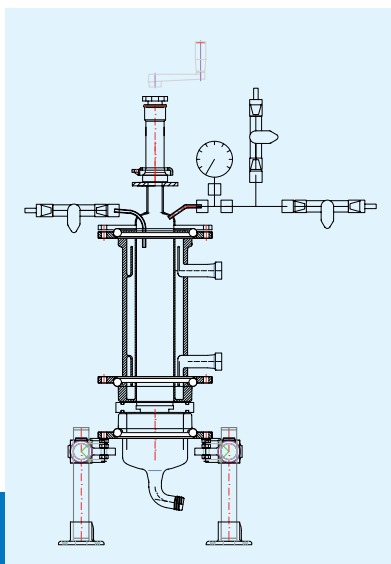
Art. No.	Volume [L]	DN / d	Height H/H1 [mm]	Connection N1, N2, N3, N4 [mm]	Connection N7 [mm]	Connection N5, N6 [mm]
AFD 001	1	100 / 265	550 / 150	010	GL 18	M12x1,5
AFD 002	2	100 / 265	700 / 300	010	GL 18	M12x1,5
AFD 004	4	150 / 320	730 / 270	010	GL 18	M12x1,5
AFD 005	5	150 / 320	770 / 310	010	GL 18	M12x1,5
AFD 006	6	150 / 320	810 / 350	010	GL 18	M12x1,5
AFD 008	8	200 / 370	670 / 350	016	GL 25	M12x1,5
AFD 010	10	200 / 370	840 / 350	016	GL 25	M12x1,5

### Options:

- O1: with FDA material conformity
- O2: fully corrosion resistant, Materials: Borosilicate Glass 3.3, PTFE, FEP, ETFE
- O3: rapid-closures system for filter-top removal

### Directives and options

- PED 2014/68/EU
- Optional: FDA material conformity,
  - fully corrosion resistant design,
  - different flange connections,
  - rapid-closures system for filter-top removal



**OPTIMIZATION**